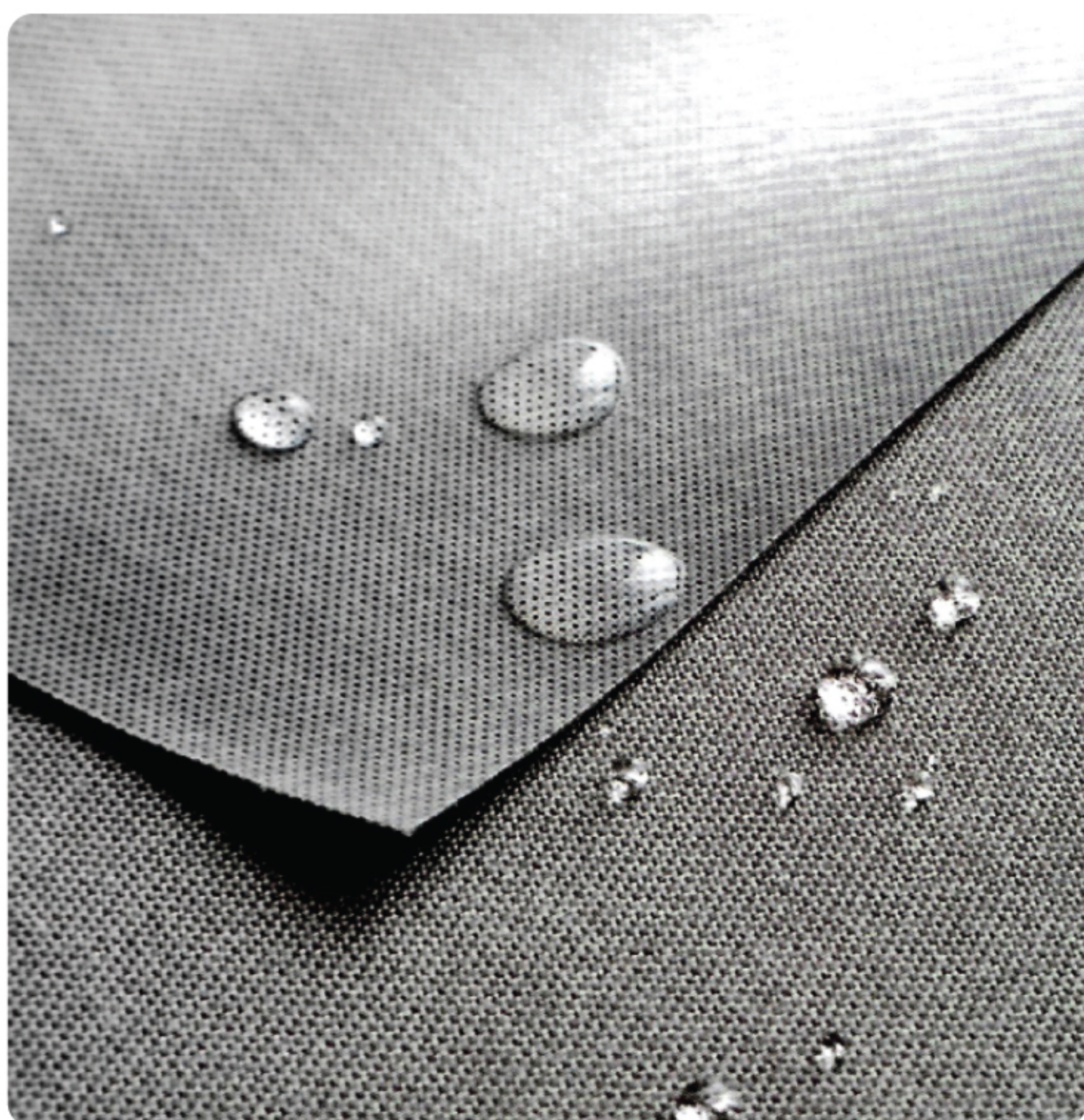
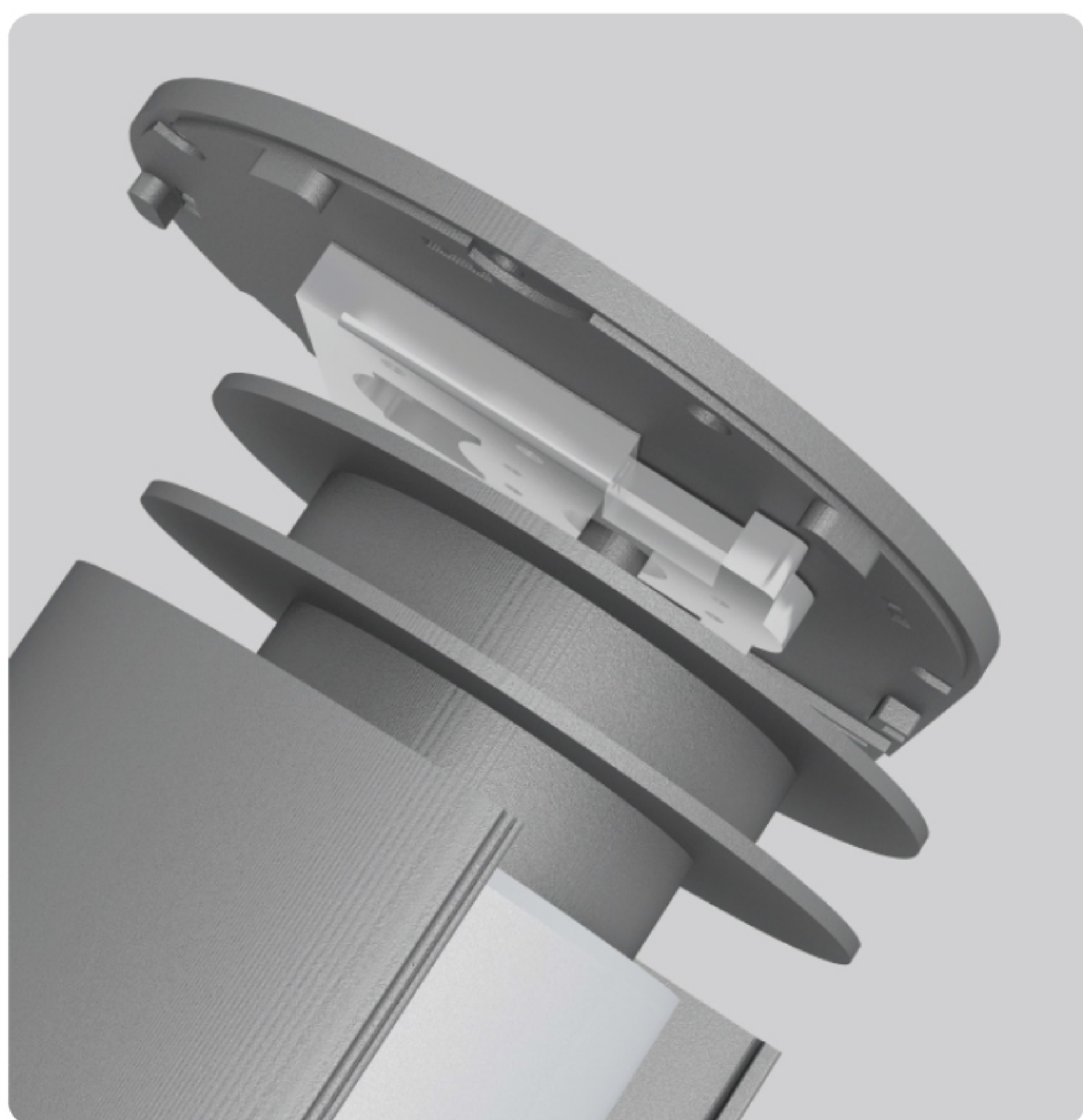


# Indulging Sheer.

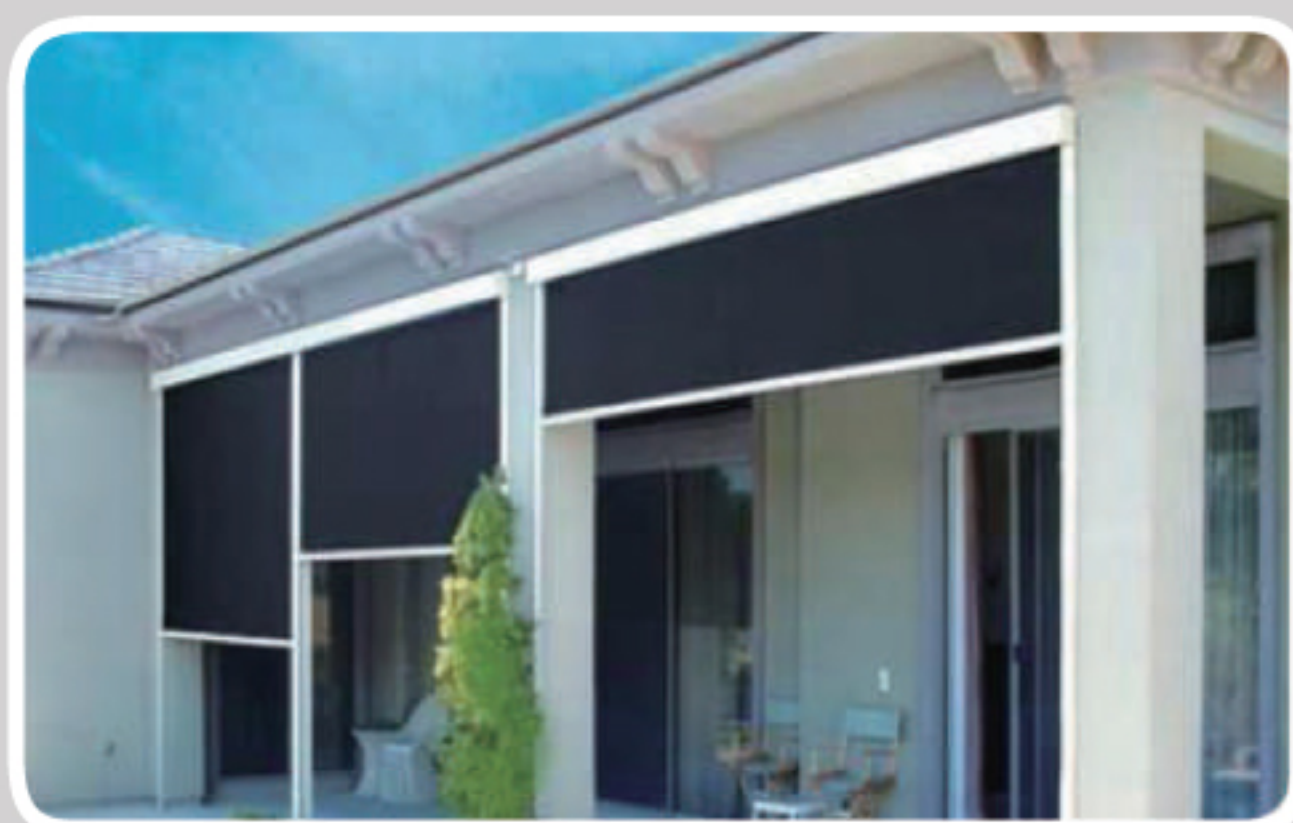




# MOTORISED SIDE SCREEN SYSTEM

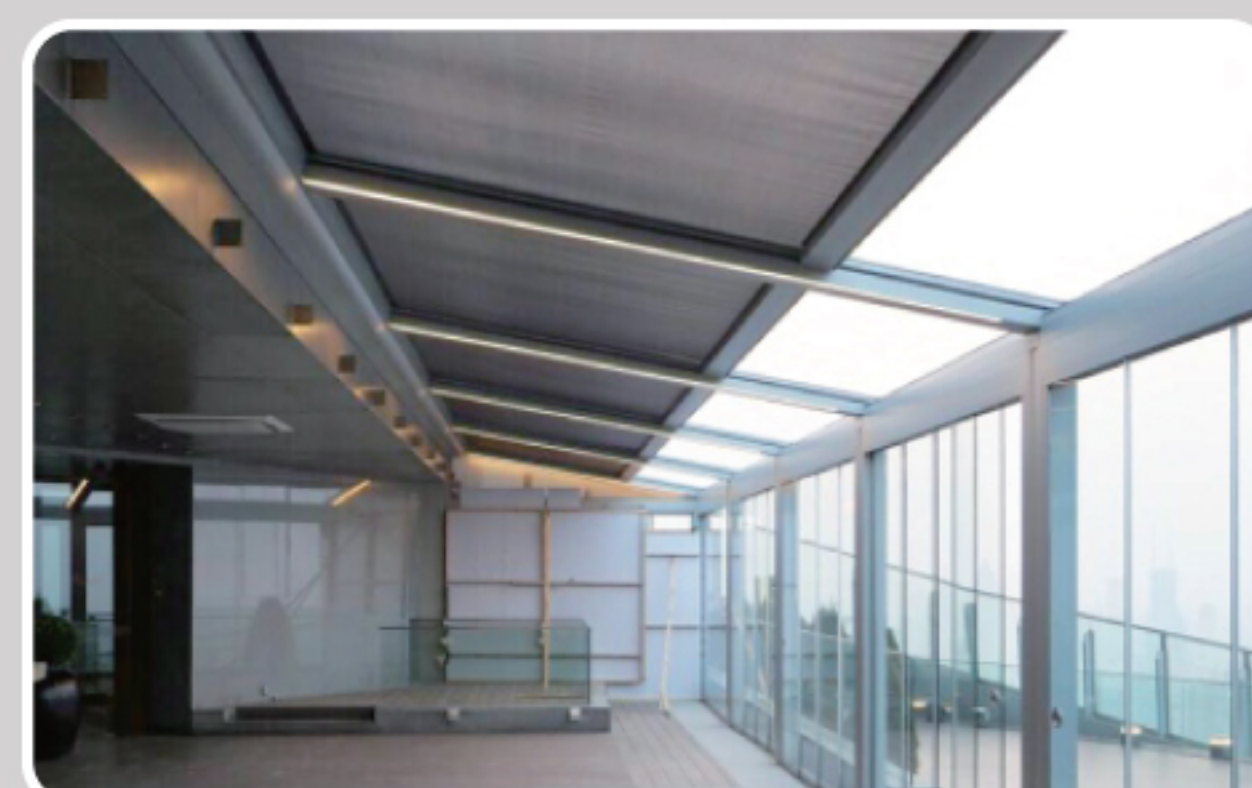
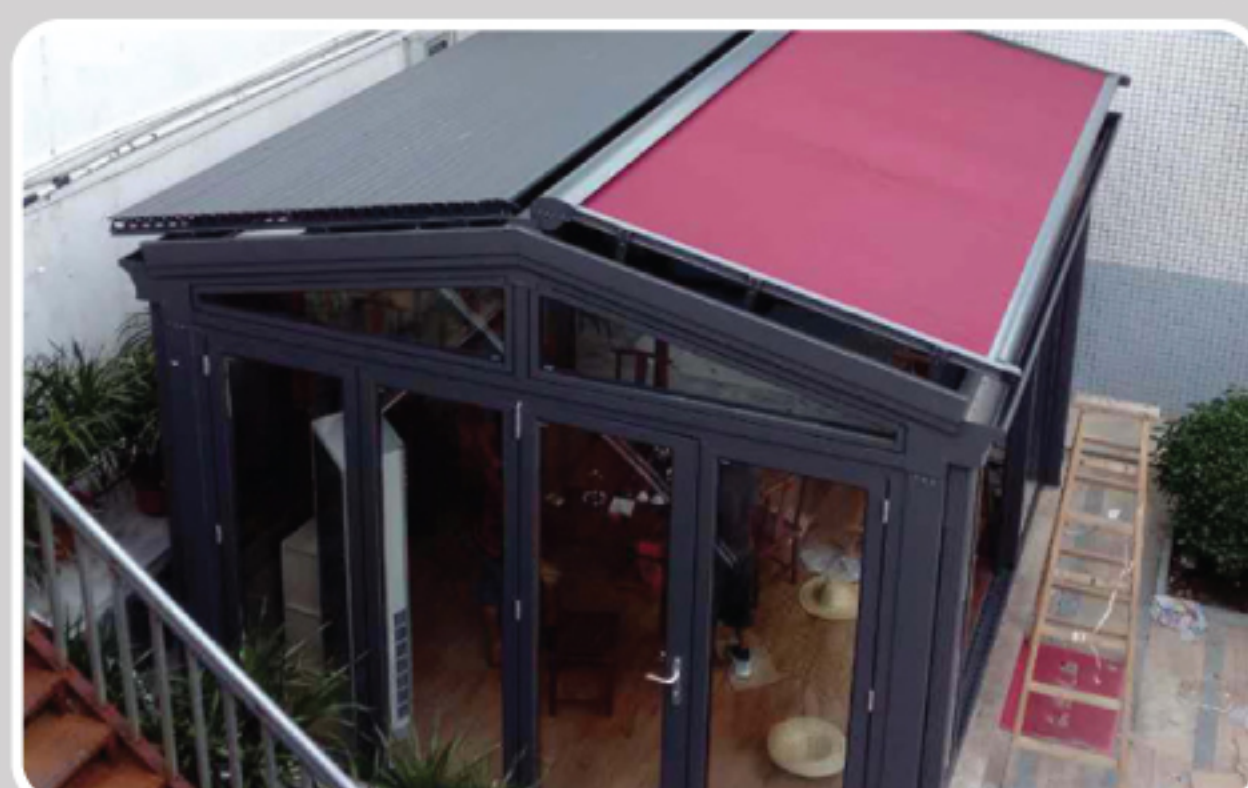




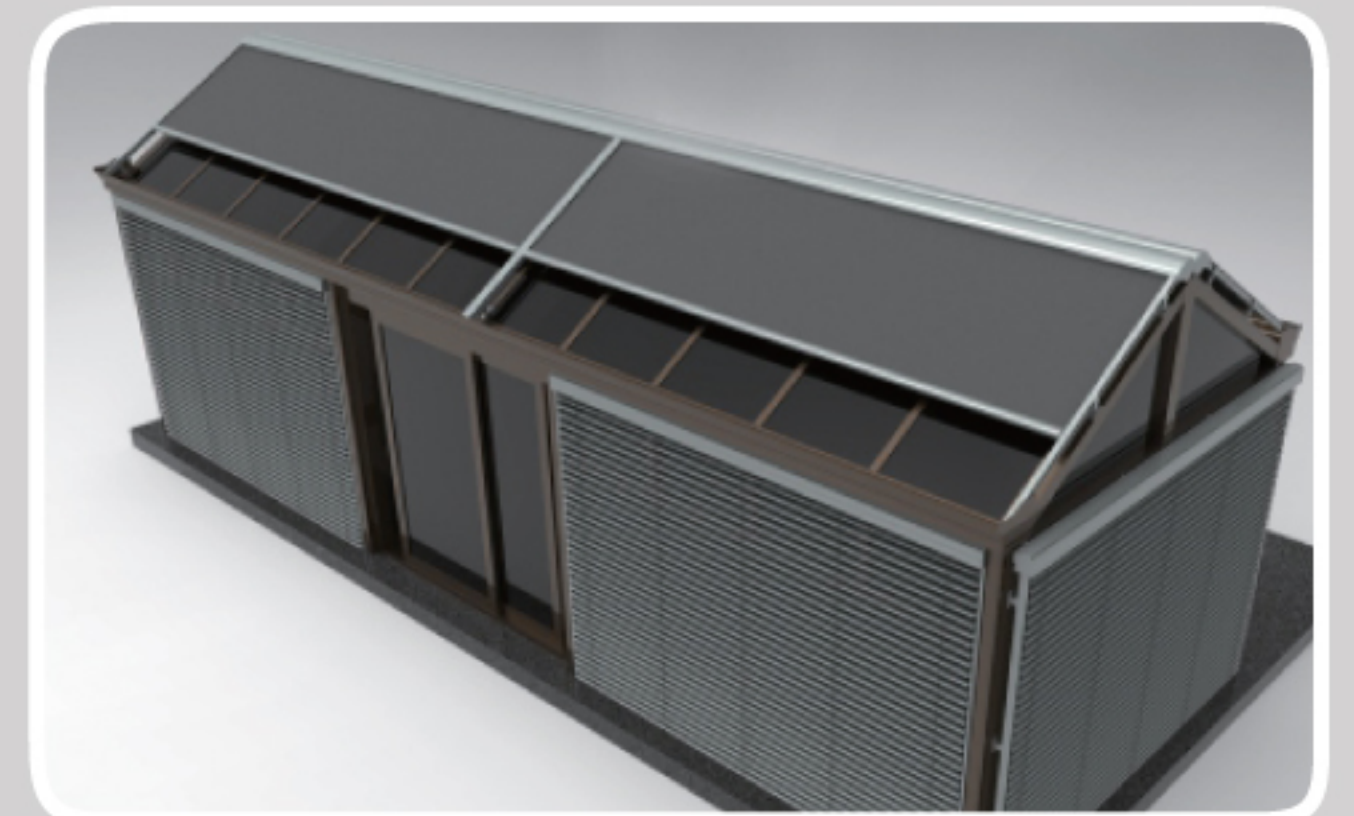
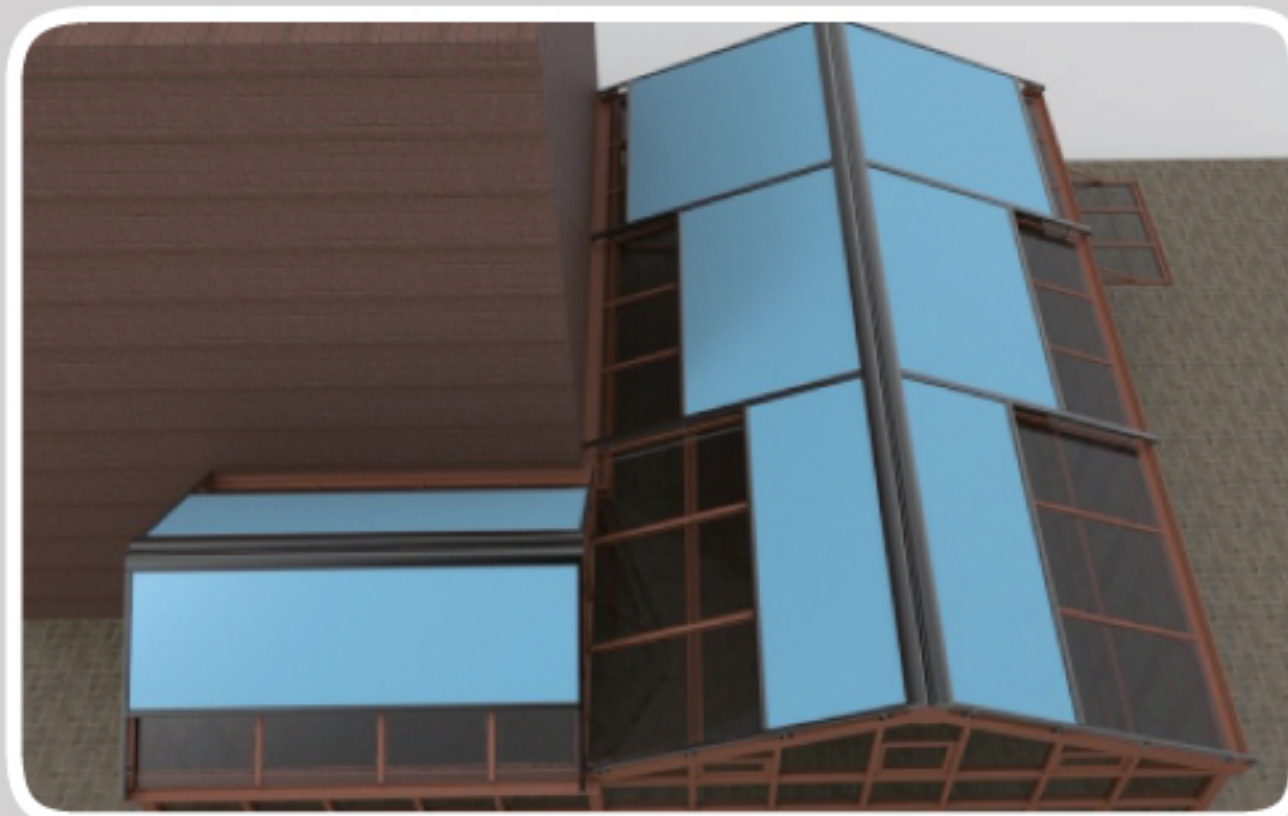
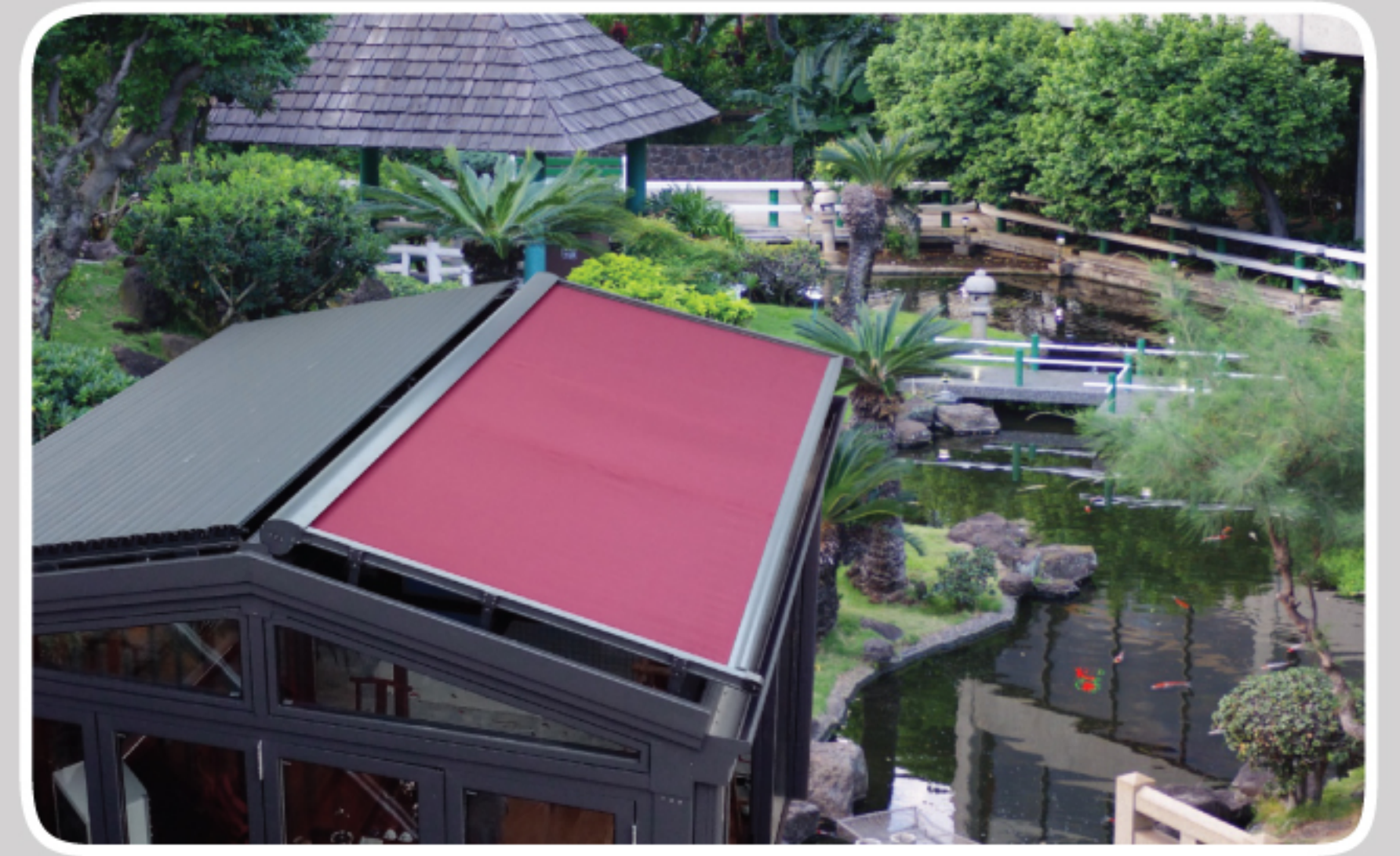
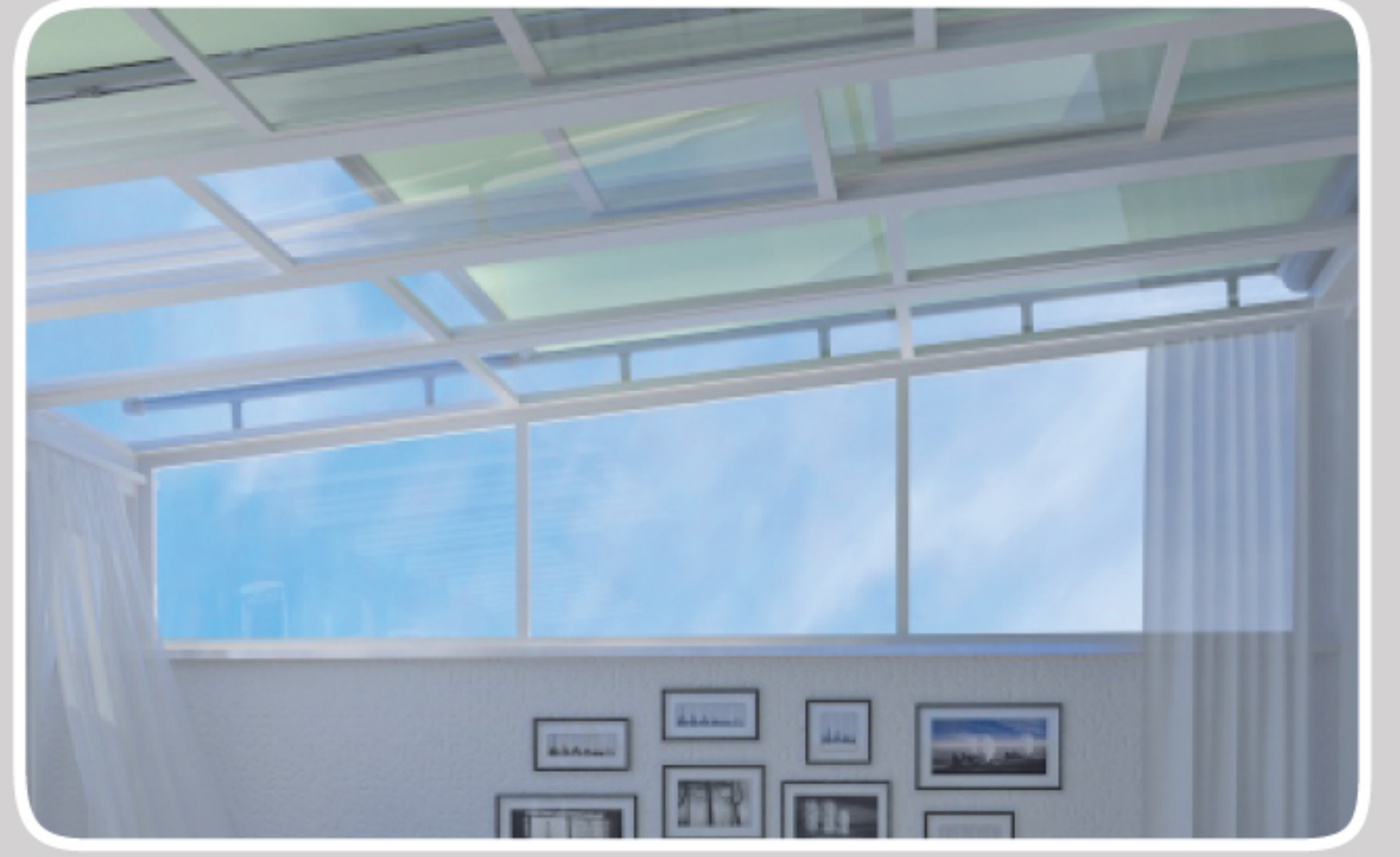
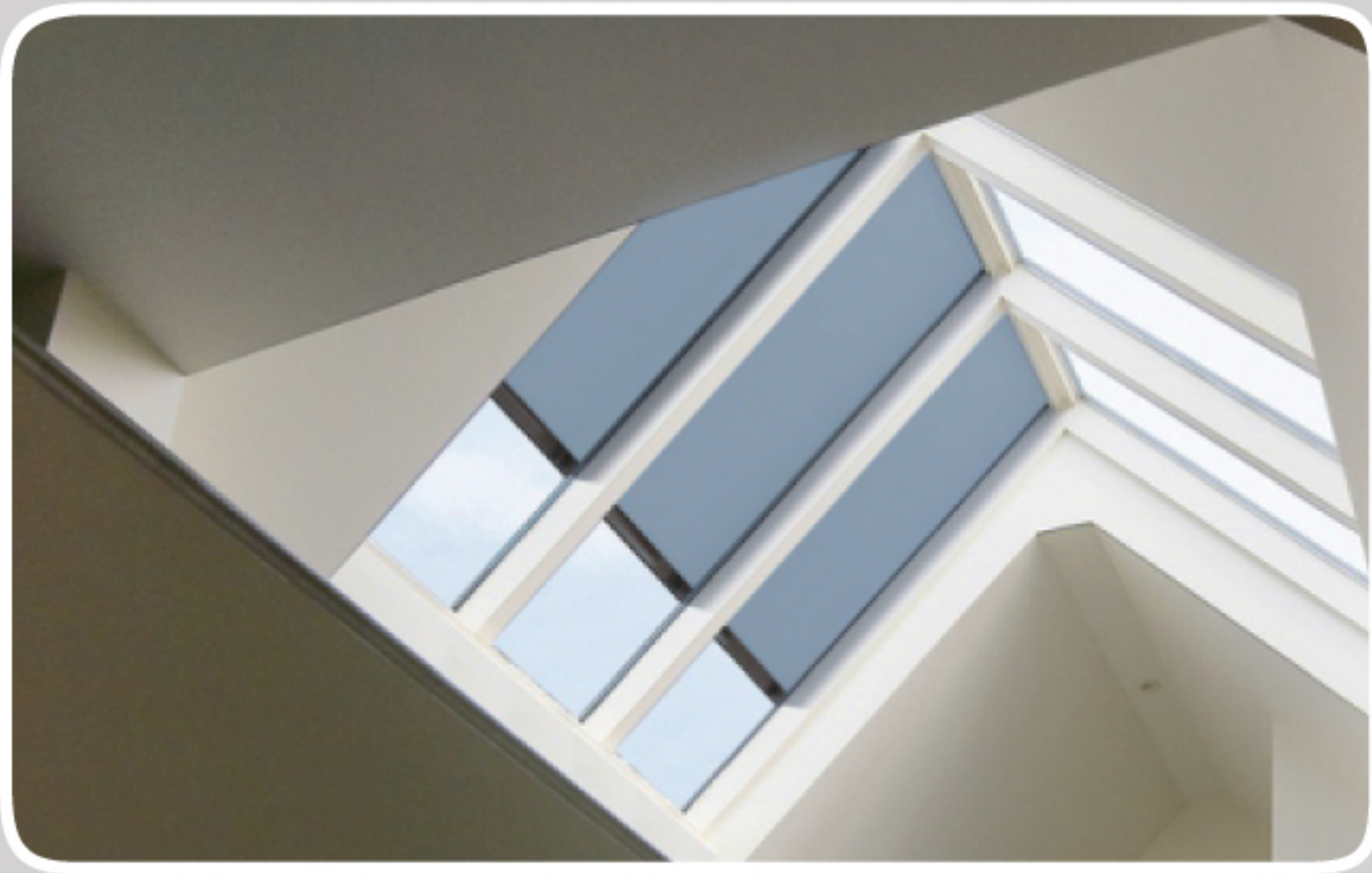




# OUTDOOR SHADING SHUTTER SYSTEM







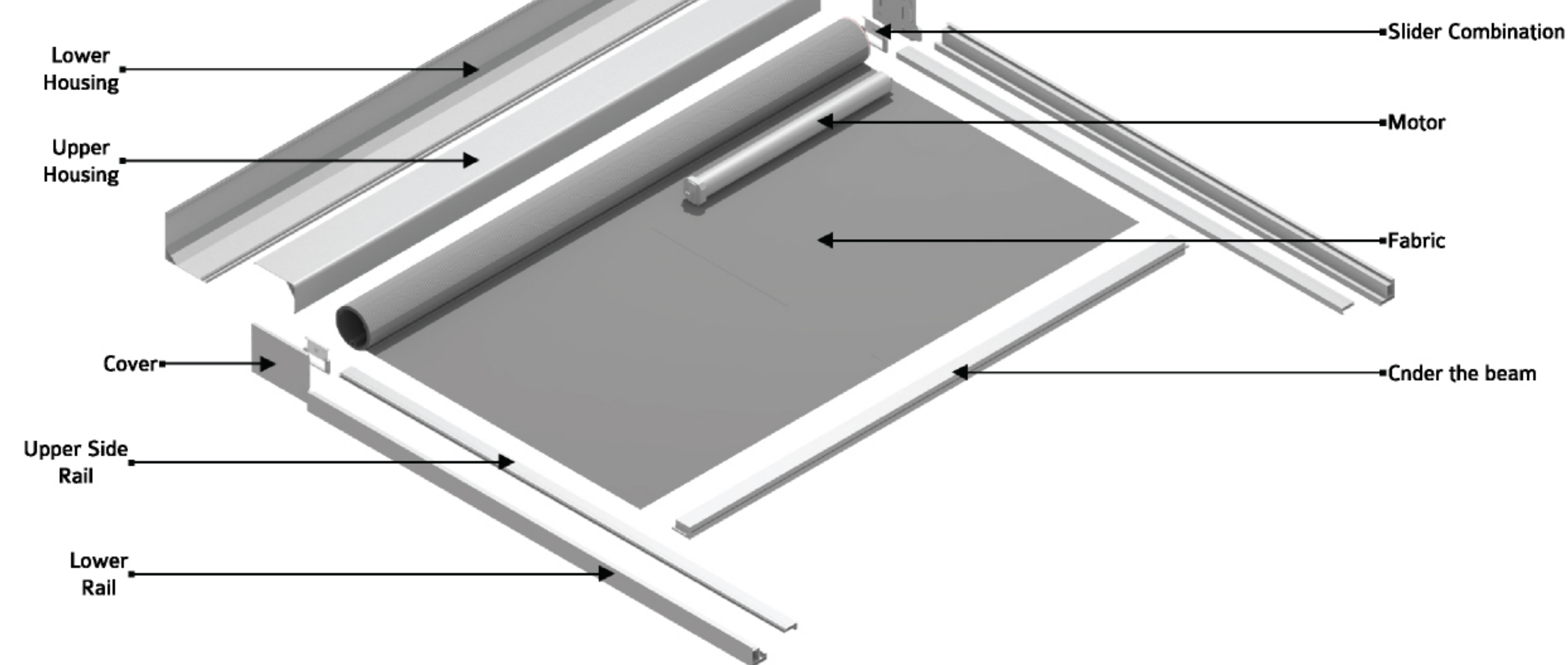


# MOTORISED SIDE SCREEN SYSTEM

Basking in the warmth of the sun, breathing in that moist after-rain air, and having that hair model moment during strong winds are all sublime experiences! But sometimes too much is not so sublime. Composed of a zipper system for fluid operation, our Motorized Side Screen System protects you, your family, and also your kid's art project drying outside, from harmful UV rays, rain, and intense winds.

Now you can enjoy outdoor luncheons, engage in gossip sessions with your friends or have a self-care moment even when the weather decides to throw a tantrum. Our Motorized Side Screen System bridges that gap between functionality and world-class design, promising maximal comfort in your home outdoor experience.

## PRODUCT BREAKDOWN DIAGRAM

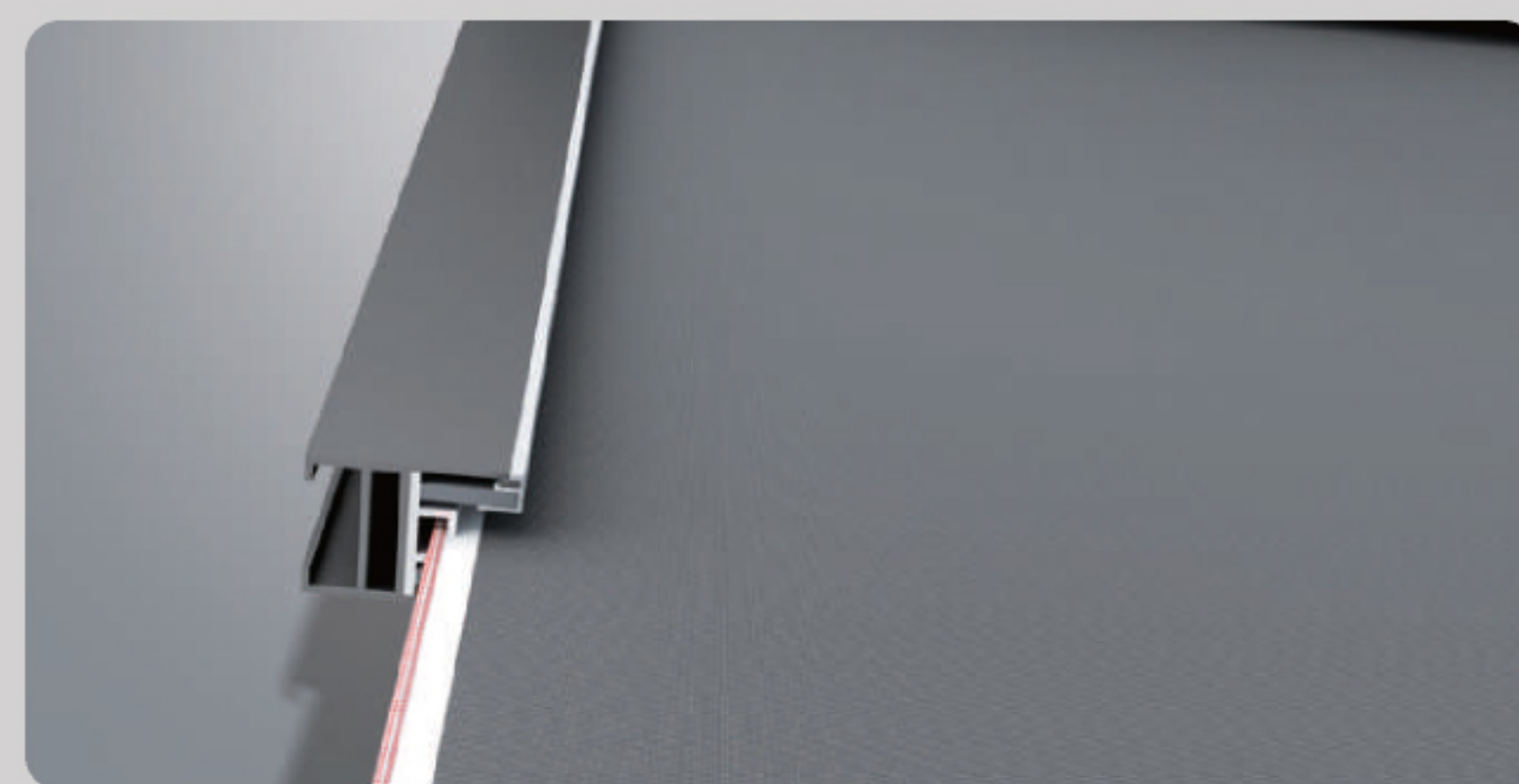
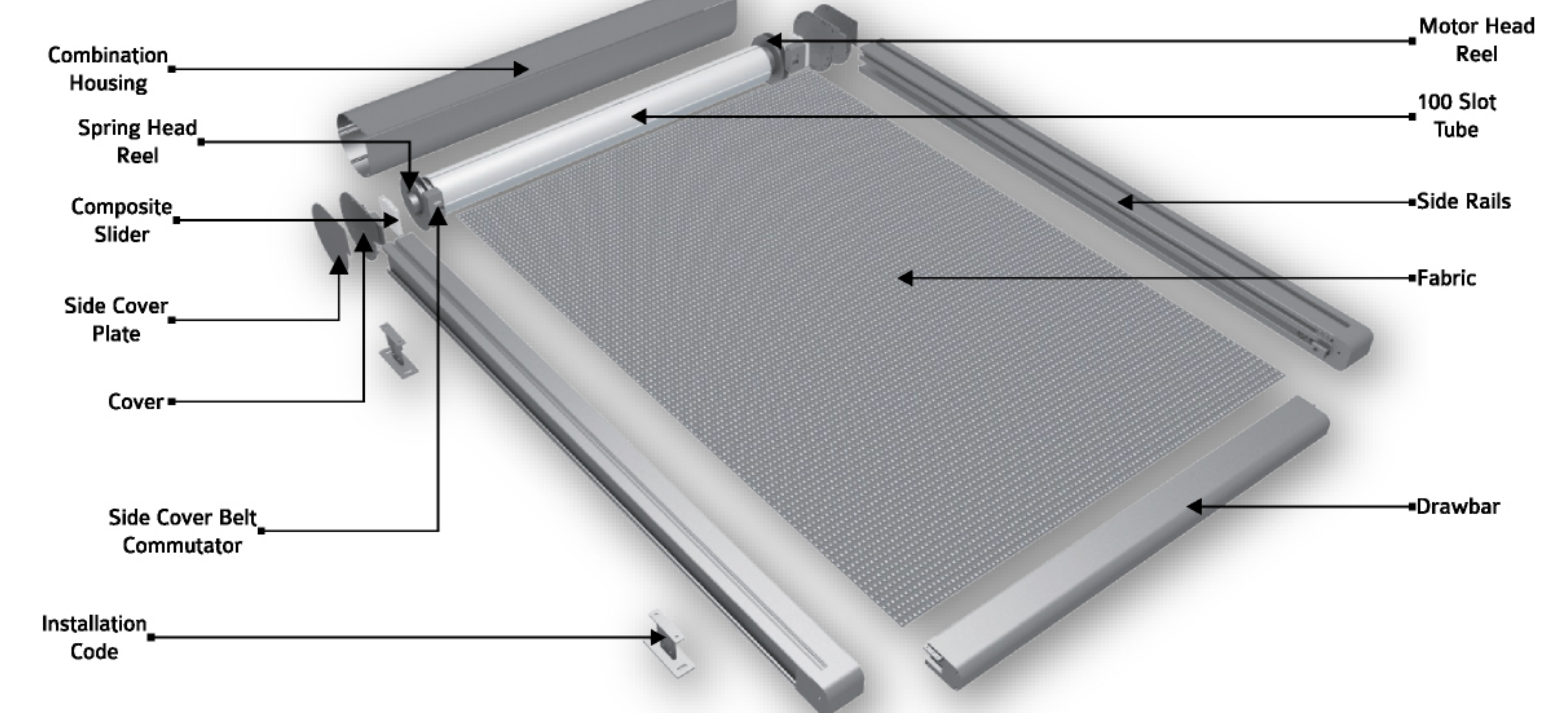


# OUTDOOR SHADING SYSTEM

Sunbathing and warm, cozy air is all fun and games until the sun doesn't take a break just like our tropical climate — eternally blazing hot weather. Our outdoor shading shutter system solves just this tropical issue we all face. This system is designed to pair with glass awnings and glass roofs to block incident sunlight, preventing the buildup of heat on the interior surface of the glass. Just like sunshades for your eyes, it's sunshades for your outdoor space.

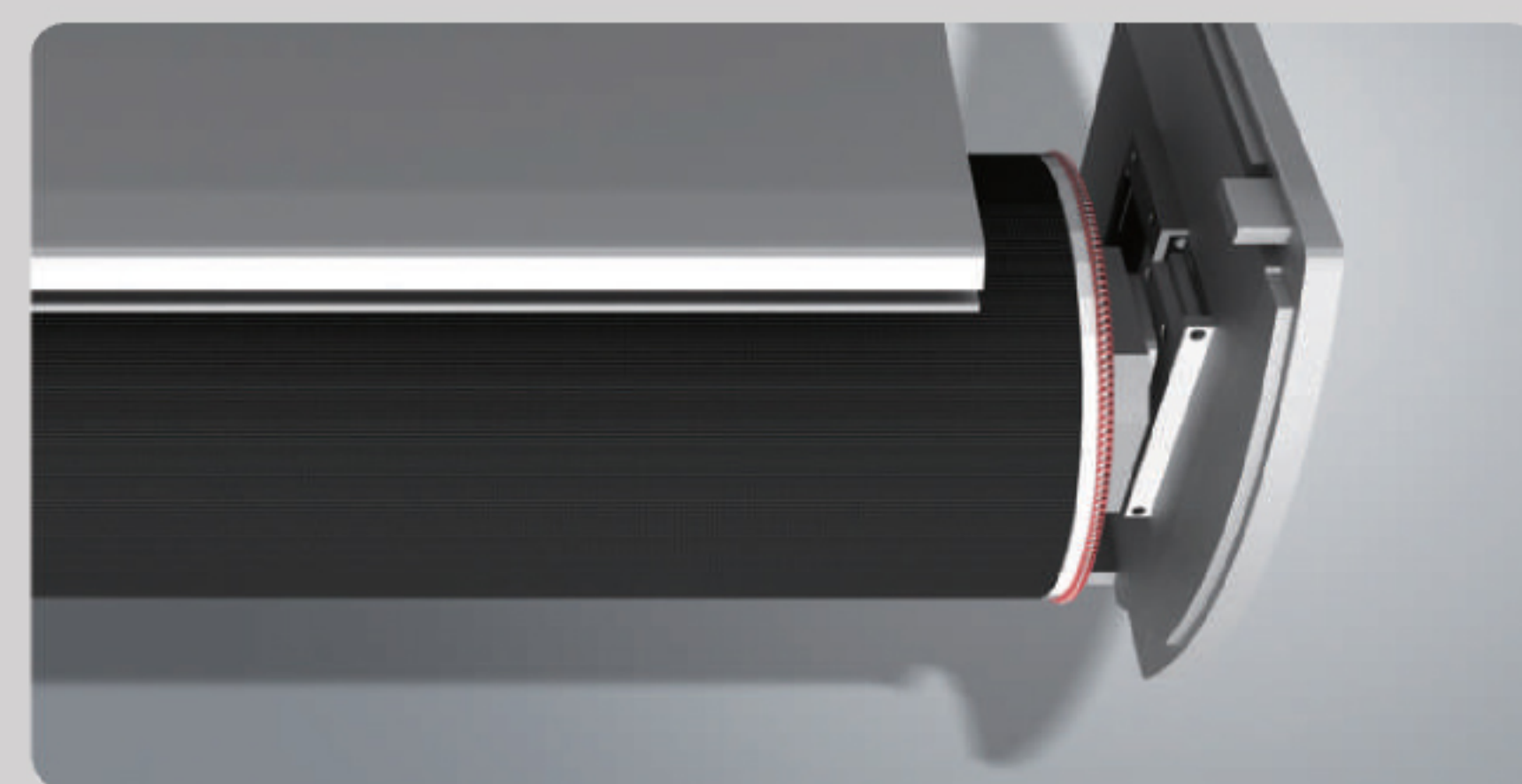
A cool outdoor environment, a nicely-lit ambiance, and a relaxed mind. What more could you ask for? Hydro One's Outdoor Shading Shutter System is the perfect solution to keeping the heat out and keeping the fun inside going!

## PRODUCT BREAKDOWN DIAGRAM



## 01. Zipper Welding

The side track aluminium profile is designed to ensure the fabric screen interlocks with the side track tightly. This allows a smooth, continuous movement of the fabric screen along the side track.



## 02. Assembly & Installation

The product is created for retrofit installation and designed for easy assembly. Installation can be completed in 24 hours.



## 03. Motorised System

The product is equipped with an intelligent motorised system. This enables us to control the opening and closure of the shade using a wall switch and remote control.

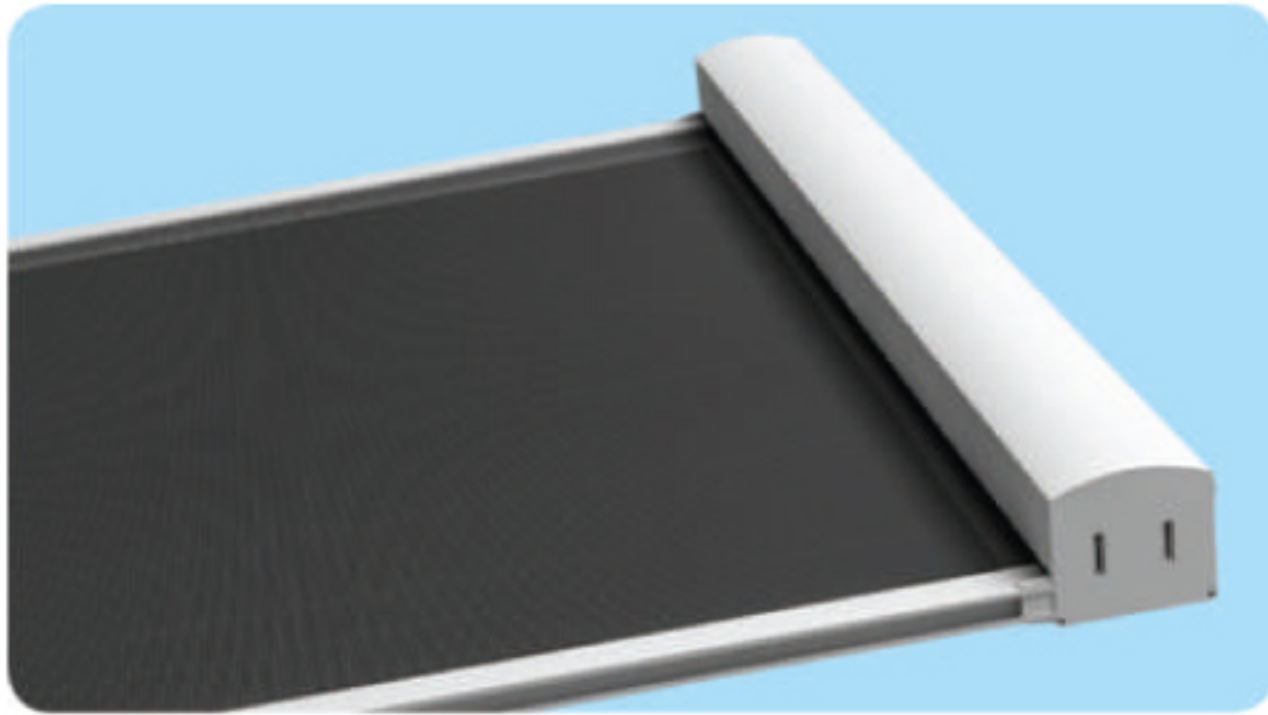


## 04. Guarantee & Warranty

2 Years Guarantee + 1 Year Warranty



## TECHNICAL PARAMETERS



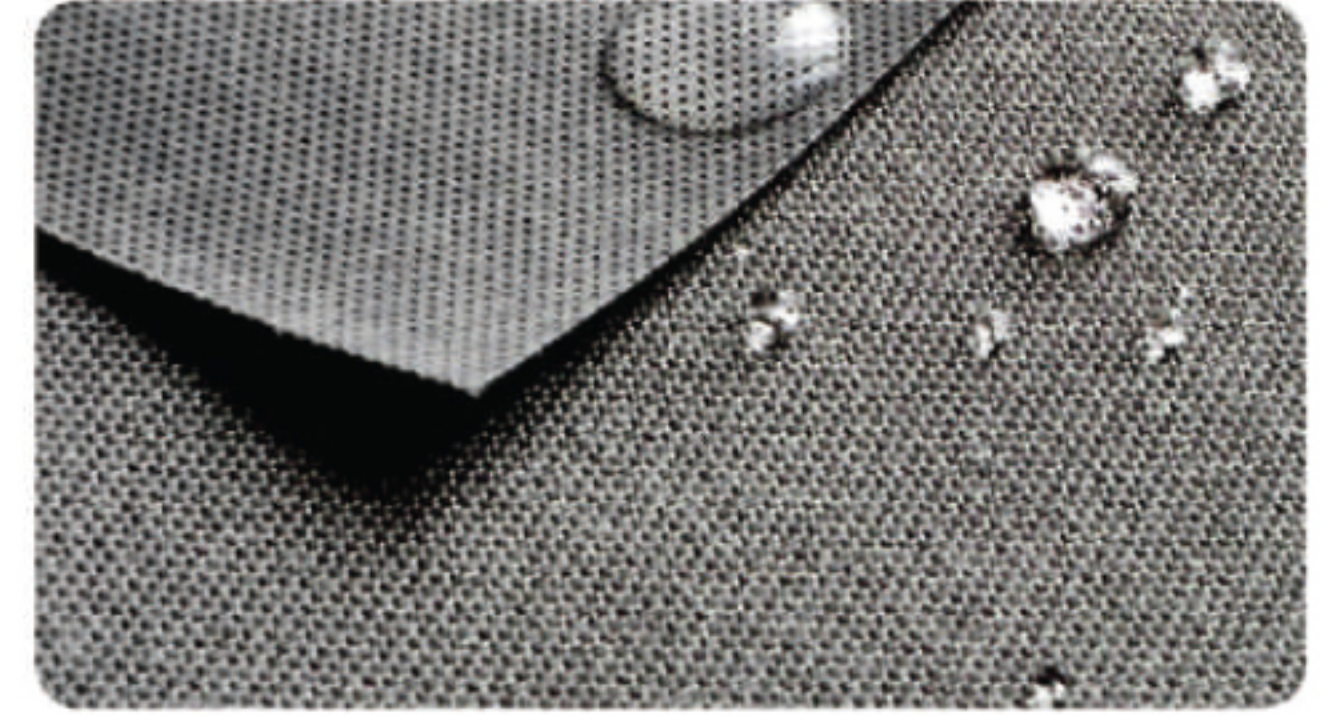
### Variety of sizes:

Single largest size up to:  
Side Blind: 6000mm(W) x 7000mm(L)/22m<sup>2</sup>  
Roof Shading(zip track): 3000mm(W) x 5000mm(L)  
Roof Shading(non-zip track): 5000mm(W) x 5000mm(L)/20m<sup>2</sup>



### Material:

Fiber glass fabric  
Color Fastness Grade: Grade 8



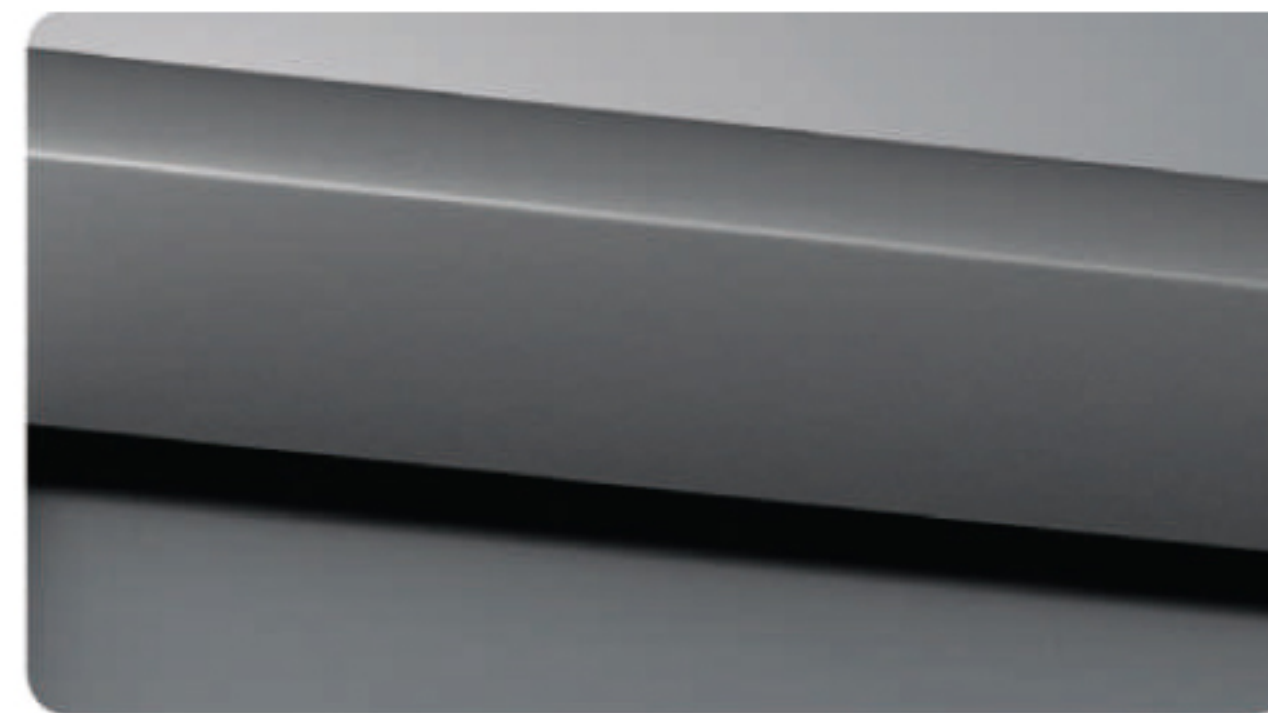
### Fabric Characteristics:

- Flame retardant
- Aging resistant
- Stretch resistant,
- High and low temperature resistant
- Corrosion resistant



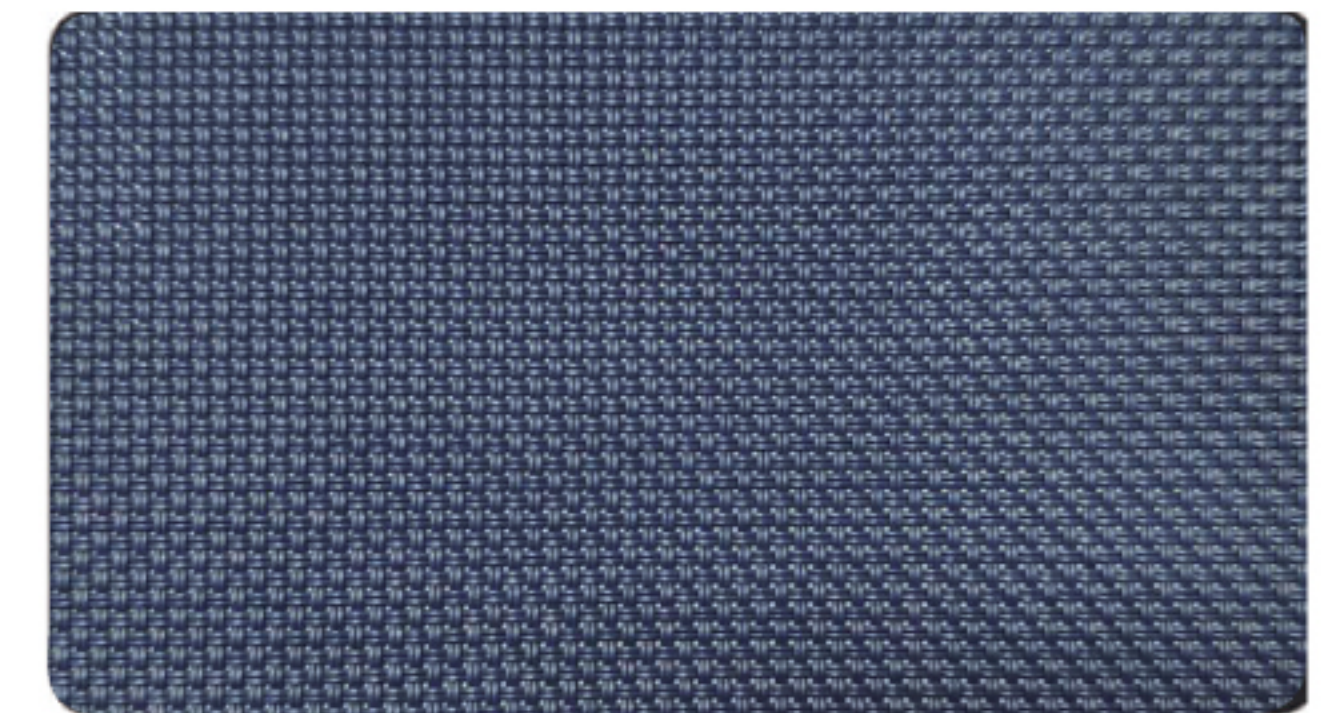
### Wind Pressure Resistance Rating:

120km/h



### Aluminium Surface treatment:

Fluorocarbon sprayed



### Anti-Wrinkle Technology

Patented Anti-Wrinkle Technology



Hydro One Marketing Sdn. Bhd.  
(648758-P)

No.21, Jalan STR 3,  
Saujana Technology Rawang,  
48000, Rawang, Selangor, Malaysia.

T +603 - 6092 0120  
F +603 - 6092 0305  
E enquiry@hydro1.com.my  
W www.hydro1.com.my

Hydro One Show House

No 15, Jalan USJ 3/2, USJ 3,  
Subang Jaya, 47600 Subang Jaya,  
Selangor, Malaysia  
(Viewing by appointment only)

Renowned for its masterly architectural works testified by more than 15 years of experience, Hydro One continues to make ambitious endeavors to transform the outdoor environment of homes abroad Malaysia into a place of bona fide beauty. All of Hydro One's products are all designed by an insightful and experienced landscape architect from Malaysia which has been uniquely fashioned to